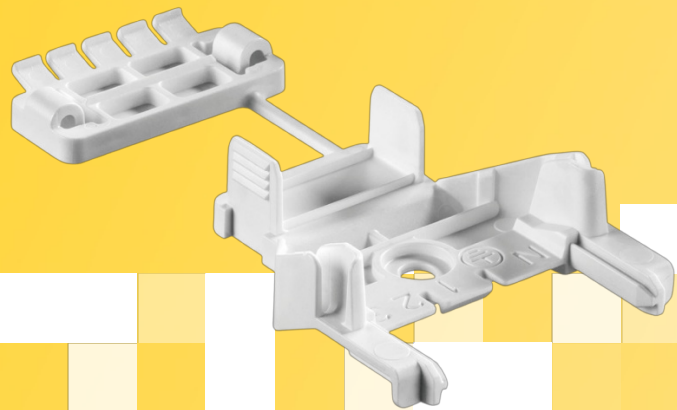


LBK 2/11 ACCESSORIES

Secure tap-off, practical supply set,
and reliable strain relief



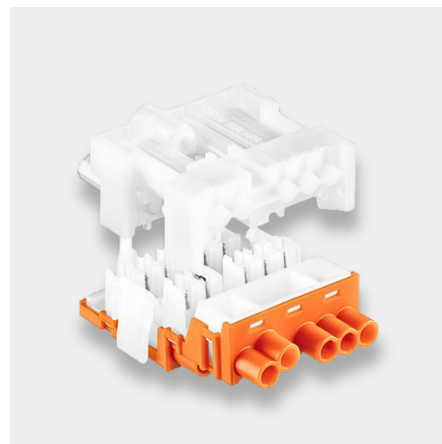
- The LBK 2 system from Electro Terminal represents peak efficiency in continuous row lighting wiring. With the matching accessories, you can enhance your system's functionality and ensure a compliant, long-lasting installation – even under demanding conditions.
- The LEIF strain relief is the perfect addition to the LBK 2. It reliably protects contact points from mechanical stress and ensures that the connection remains absolutely stable, even when subjected to vibrations or pull forces.
- The LBK 2 ST is the ideal choice for a fast and flexible power tap-off. It enables intuitive contacting of individual luminaire modules within the continuous row.
- The supply set forms the foundation for the power supply of the entire lighting system. It is designed for easy operation during power supply.



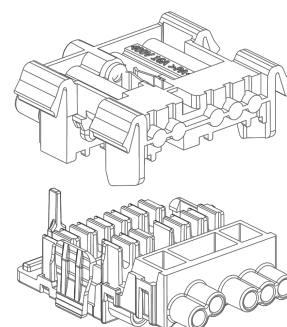
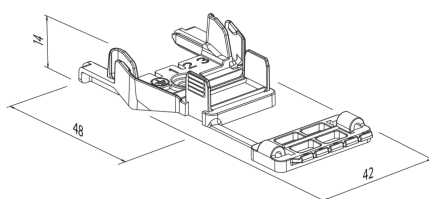
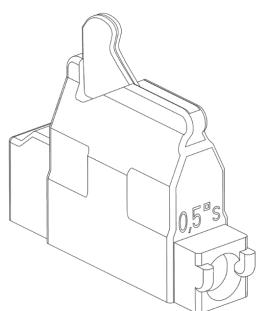
MO LBK 2 ST KURZ (TRANS)



LBK 2/11 LEIF



LBK 2/11 CON EINSPEISE SET

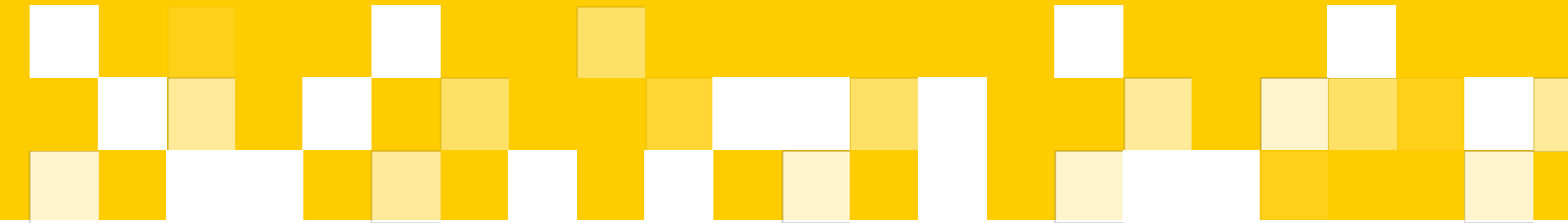


Art. number	Type	Weight (pcs./ g)	Packing / pcs	Box type
88168389	LBK 2/11 LEIF	5.2	150	275 x 200 x 180 mm
08161680	MO LBK 2 ST KURZ (TRANS)	0.9	5000	275 x 200 x 180 mm
88168418	LBK 2/11 CON EINSPEISE SET	8.4	200	

Explanation

Approvals





Electro Terminal GmbH & Co KG
Archenweg 58 | 6020 Innsbruck
Austria
T +43 512 3321
office@electroterminal.com

Legal Form of Company: GmbH & Co KG
Registered Office: Innsbruck

Registered No.: FN 231479k
VAT No.: ATU 56551948

Follow us on:



ELECTRO 
TERMINAL