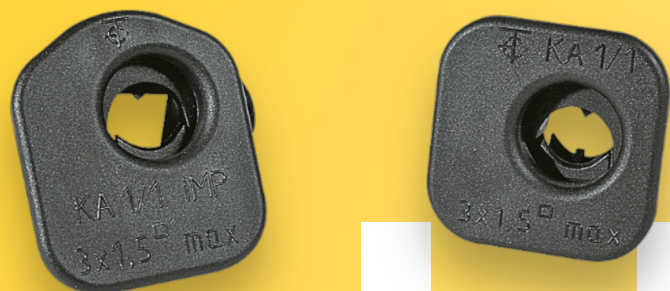


KA

Strain relief for household
appliances



- Our KA strain reliefs ensure the mandatory mechanical protection of the power cord. They reliably prevent tension or torque from being transmitted to internal contact points, minimizing the risk of cable fires or electric shocks throughout the device's entire service life.

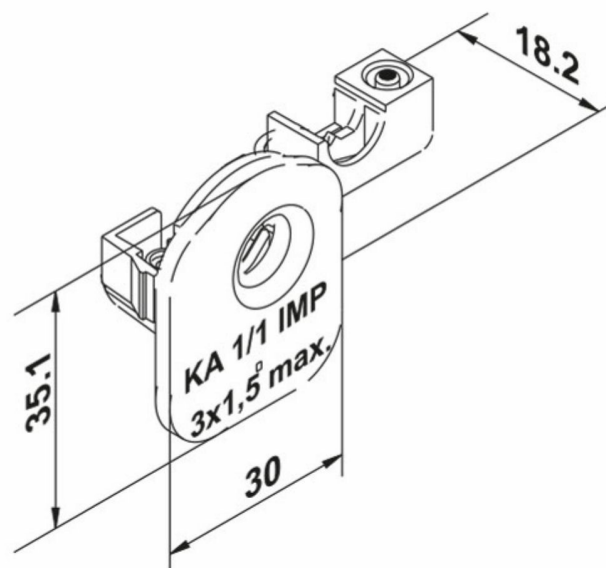
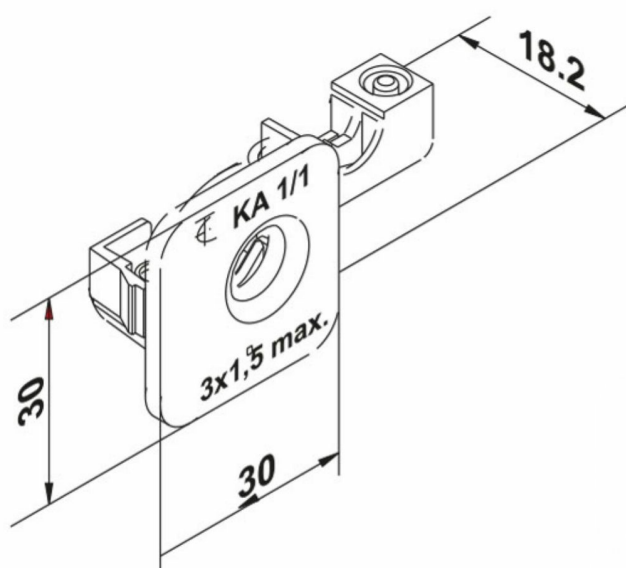
KA 1/1



KA 1/1



KA 1/1 IMP



IEC Ratings

Max. ambient temperature

T 125

Material

Terminal housing

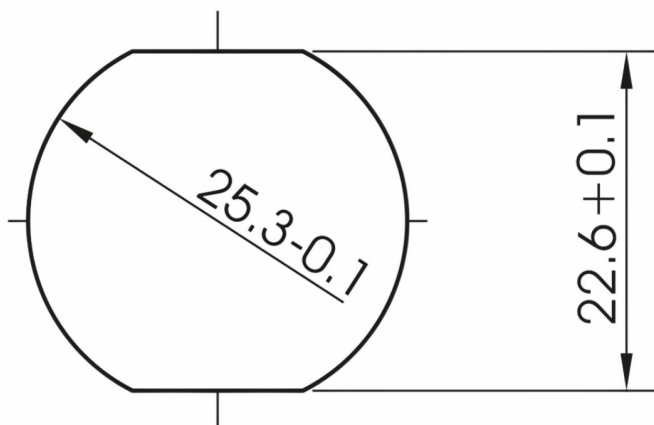
PA black

Screw

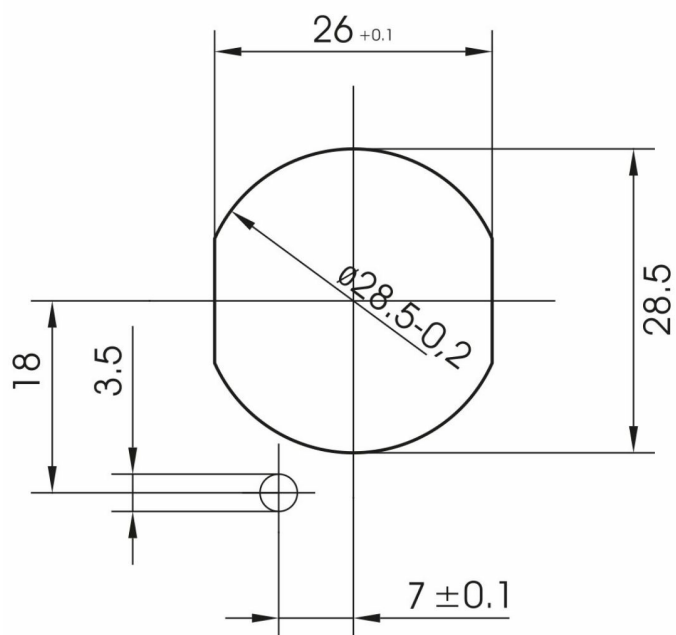
Galvanized steel

PH1 | 0,5 Nm

Cutouts



KA 1/1 | Plate thickness 0.5 - 1.2 mm



KA 1/1 IMP | Plate thickness 0.5 - 1.2 mm

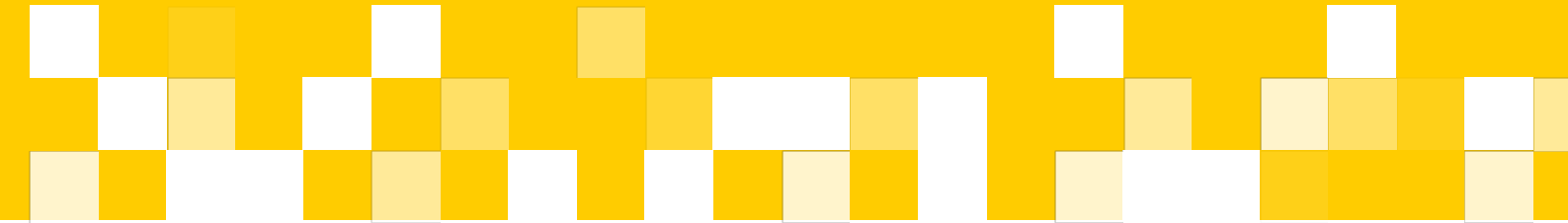
Art. number	Type	Packing / pcs	Weight (pcs./ g)	Box type
88167120	KA 1/1 IMP (SCHRAUBE 6196 MITVERP.) Q00	1000	5.6	320 x 215 x 290 mm
88167094	KA 1/1 (SCHRAUBEN MITVERPACKT) Q00	1000	5.1	320 x 215 x 290 mm

Explanation

KA 1	Cable connection with strain relief
1	Additional code for terminal housing
IMP	Additional code for alternative cutout
PA	Polyamide

Approvals





Electro Terminal GmbH & Co KG
Archenweg 58 | 6020 Innsbruck
Austria
T +43 512 3321
office@electroterminal.com

Legal Form of Company: GmbH & Co KG
Registered Office: Innsbruck

Registered No.: FN 231479k
VAT No.: ATU 56551948

Follow us on:



ELECTRO 
TERMINAL