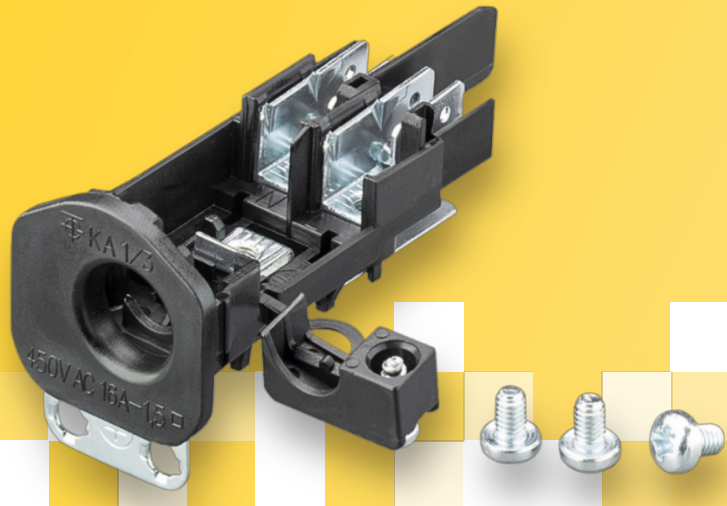


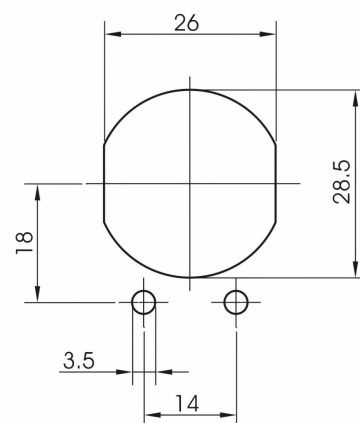
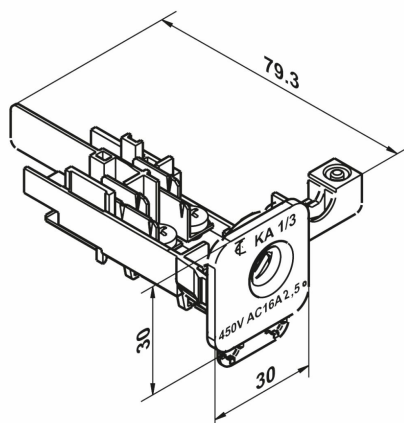
# KA 1-3

Seamlessly Combining Cable  
Connection and Strain Relief



- In small household appliances – such as coffee machines, kettles, or kitchen processors – internal space is at a premium. The KA 1-3 by Electro Terminal was specifically designed to address this challenge. This hybrid solution integrates both the electrical connection and mechanical strain relief into a single, compact component – saving space and significantly reducing assembly time.

# KA 1/3



Cutout | Plate thickness 0.5 - 1.2 mm

		IEC Ratings	UL Ratings
Nominal voltage		450 V	300 V
Nominal current		24 A	16 A
Clamping range		0.75-2.5mm <sup>2</sup> flexible	CU, AWG 16 (STR)
Wire stripping length	PE	9 - 10mm	
	L+N	11.5 - 12.5 mm	
Max. ambient temperature		T125	
Fastons		6,3 × 0,8 mm nach EN 61210	
Material	Terminal housing P	PA black	
	Screws (attached)	Galvanized steel M4 × 6	
	Inserts	Galvanized steel	

Complies with requirements to EN 60335-1 Glow wire test GWT 750°C / GWIT 775°C.

Glow wire test GWT 750°C / GWIT 775°C.

Art. number	Type	Number of Poles	B	Packing / pcs	Weight (pcs./ g)	Box type
88167109	KA 1/3 (SCHRAUBE 3X6202 MITVERP.) Q00	3		200	23.7	325 x 180 x 280 mm
88167127	KA 1/3 B (SCHRAUBE 3x6202 MITVERP.) Q00	3	B	200	23.8	325 x 180 x 280 mm
88168799	KA 1/3 B	3	B	200	23.8	325 x 180 x 280 mm

Contact: PH2 | 1.2 Nm

Strain relief: PH2 | 0.5 Nm

## Explanation

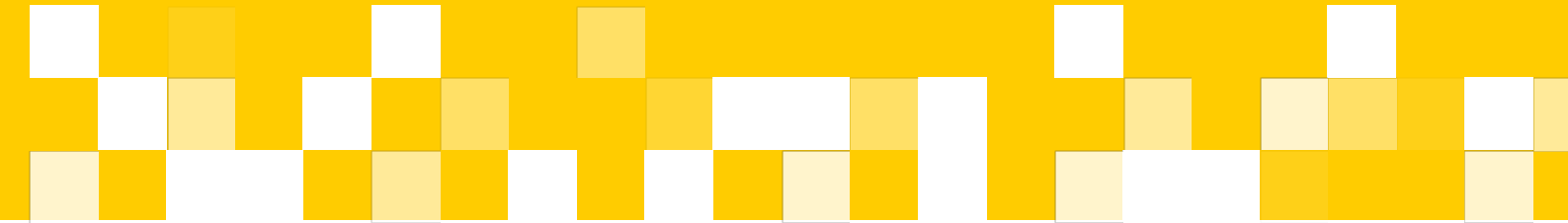
KA 1	Cable connection with strain relief
B	Additional code for alternative front
OE	Additional code for supply without earth-tag
PA	Polyamide

## Approvals



\*Available for certain product variants

---



Electro Terminal GmbH & Co KG  
Archenweg 58 | 6020 Innsbruck  
Austria  
T +43 512 3321  
office@electroterminal.com

Legal Form of Company: GmbH & Co KG  
Registered Office: Innsbruck

Registered No.: FN 231479k  
VAT No.: ATU 56551948

Follow us on:



**ELECTRO**   
**TERMINAL**