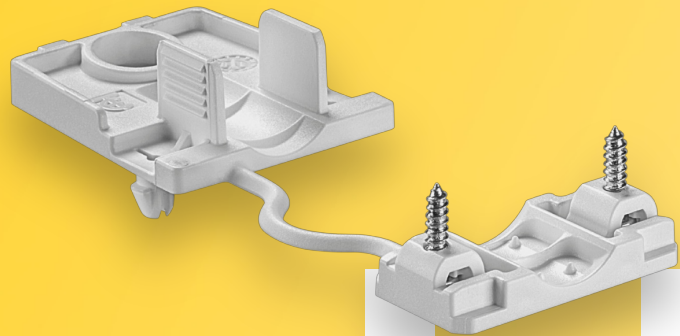


# STRAIN RELIEFS

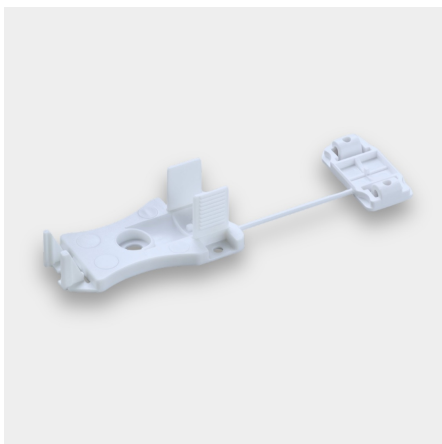
Reliable Protection Against  
Mechanical Stress According to  
Global Standards



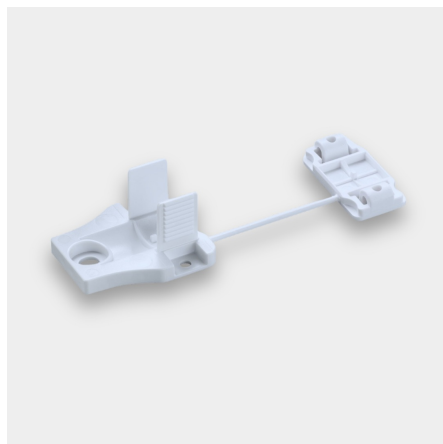
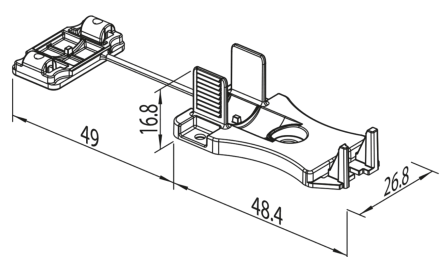
- Wherever cables and wires are subject to mechanical forces, reliable relief of the contact point is essential. Strain reliefs from Electro Terminal provide a robust, purely mechanical solution to ensure the longevity and safety of your electrical installation. Beyond mere functionality, our solutions focus on strict adherence to global safety regulations.
- Our products are precisely engineered to meet these rigorous requirements for pull-out forces and torque, effectively eliminating the risk of short circuits or fire hazards caused by loosened contacts.

# Strain reliefs (BFP)

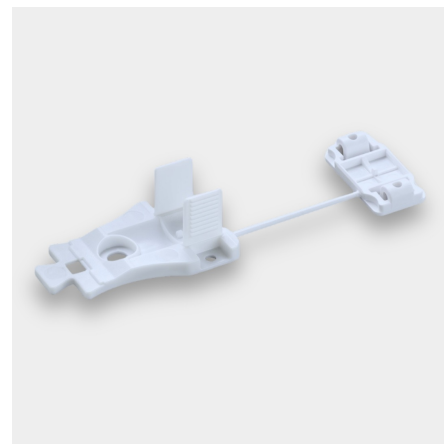
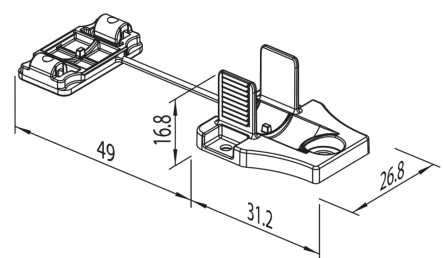
## Variants



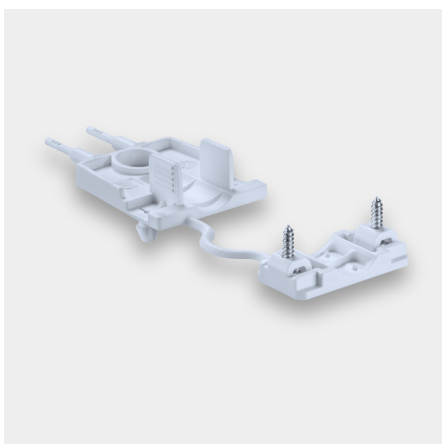
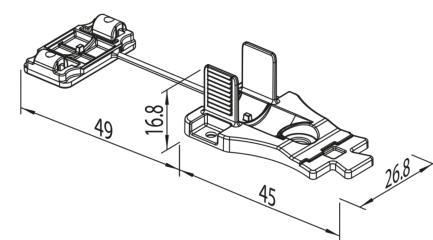
BFP ZUG SLK 3



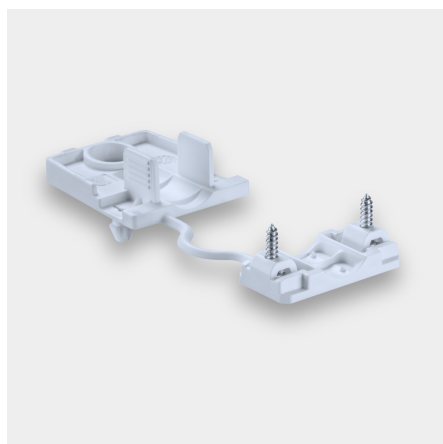
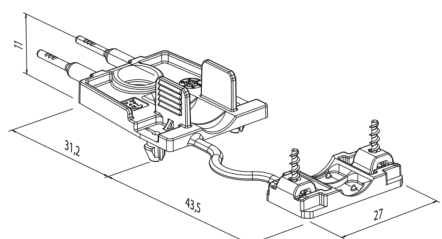
BFP ZUG OF



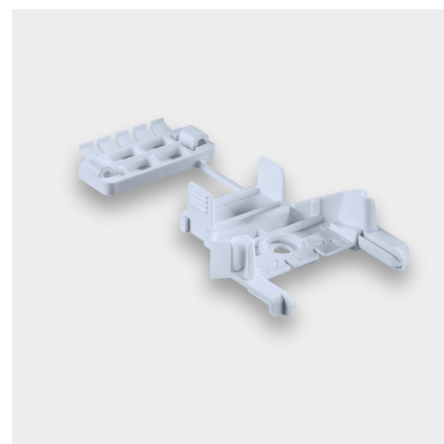
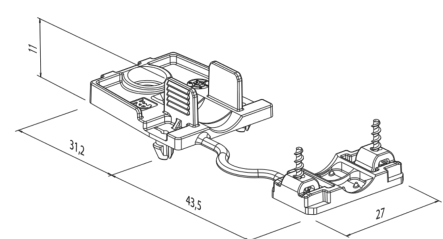
BFP ZUG SLK 5



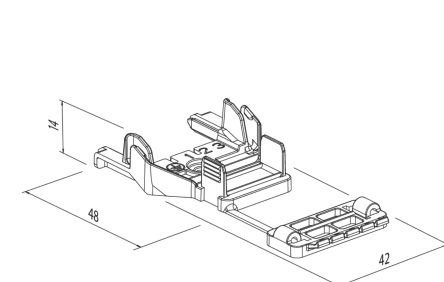
BFP ZUG SLK 7



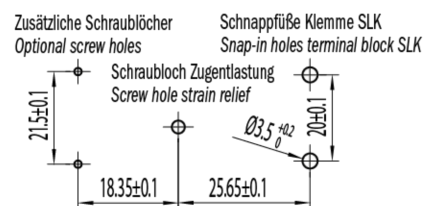
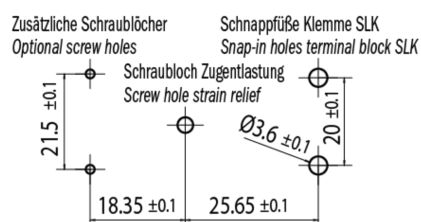
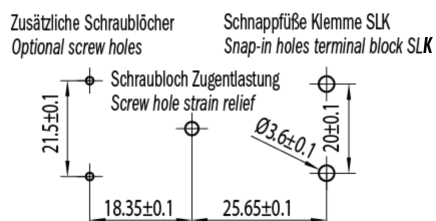
BFP ZUG SLK 7 STAND ALONE



LBK 2/11 LEIF



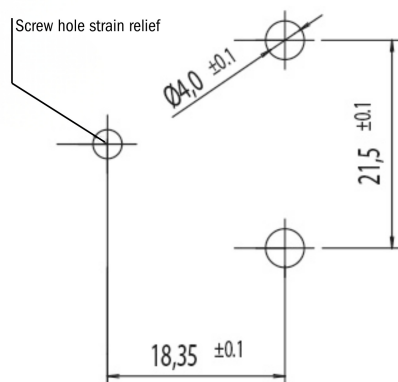
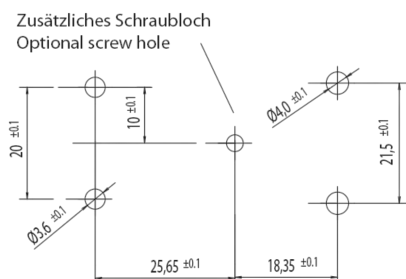
## Cutouts



BFP ZUG SLK 3

BFP ZUG SLK OF

BFP ZUG SLK 5



BFP ZUG SLK 7

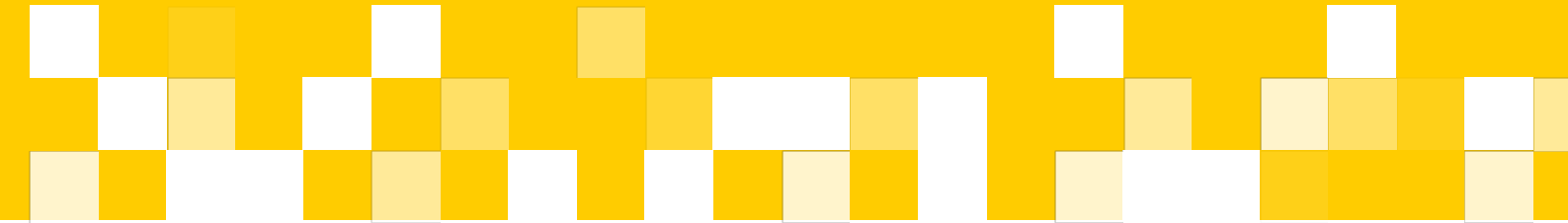
BFP ZUG SLK 7 STAND ALONE

Art. number	Type	Cable diameter	Weight (pcs./ g)	Packing / pcs	Box type
88167608	BFP+ZUG SLK 5 OF	$\varnothing 5 - 12$ mm	3,7	500	325 x 180 x 280 mm
88167536	BFP+ZUG SLK 3 OF		3,9	500	325 x 180 x 280 mm
88167546	BFP+ZUG OF		3,5	500	325 x 180 x 280 mm
88168394	BFP+ZUG SLK 7	$\varnothing 5 - 9,5$ mm	3,9	500	325 x 180 x 280 mm
88168395	BFP+ZUG SLK 7 STAND ALONE	$\varnothing 5 - 9,5$ mm	3,8	500	280 x 195 x 235 mm
88168389	LBK 2/11 LEIF		5,2	150	550 x 240 x 275 mm

## Explanation

## Approvals





Electro Terminal GmbH & Co KG  
Archenweg 58 | 6020 Innsbruck  
Austria  
T +43 512 3321  
office@electroterminal.com

Legal Form of Company: GmbH & Co KG  
Registered Office: Innsbruck

Registered No.: FN 231479k  
VAT No.: ATU 56551948

Follow us on:



**ELECTRO**   
**TERMINAL**