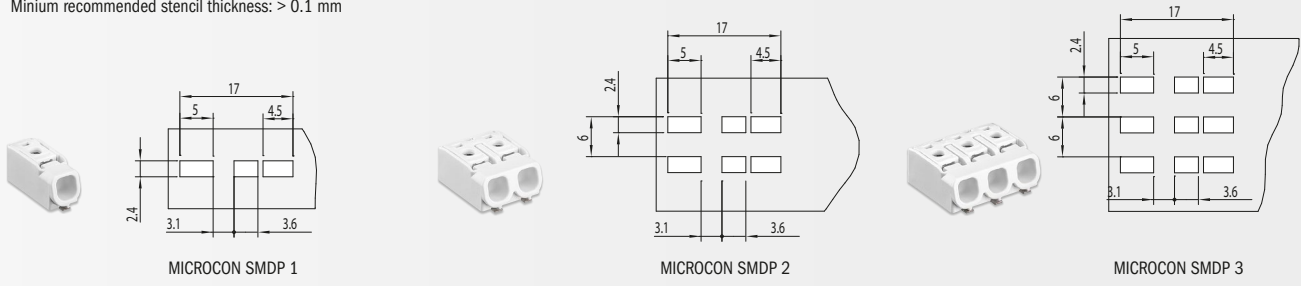


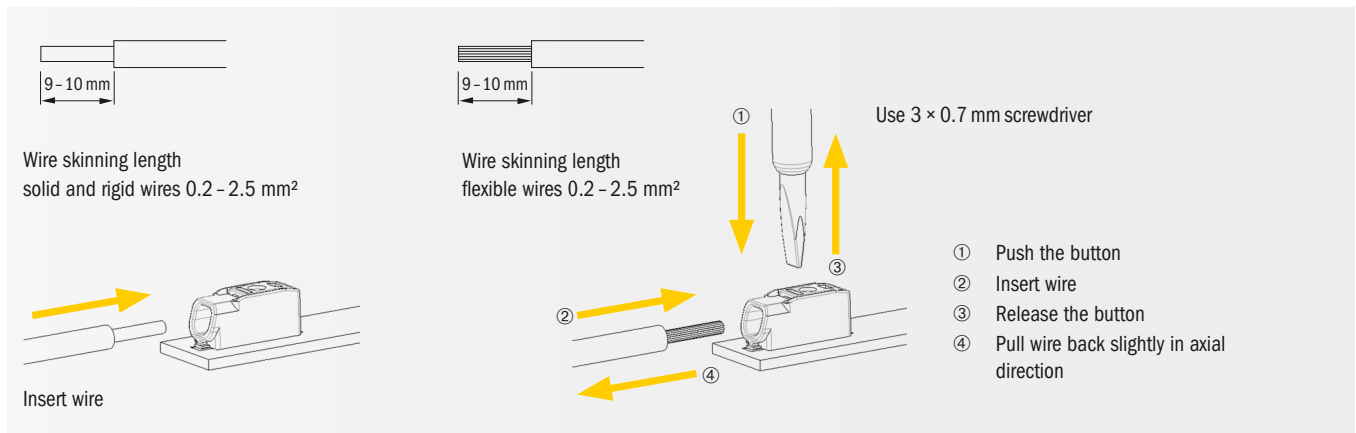
MICROCON SMD POWER

1. PCB Layout

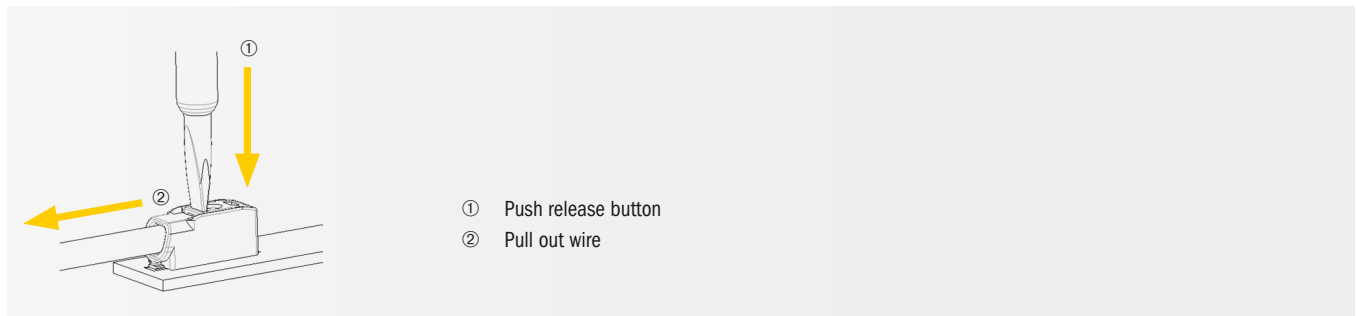
Minium recommended stencil thickness: > 0.1 mm



2. Wire insertion



3. Wire release



4. Test contact openings

