

Innsbruck, 31 January 2023
PM/AEL

**Notification of product modification
KADO XT / New modified contact part**

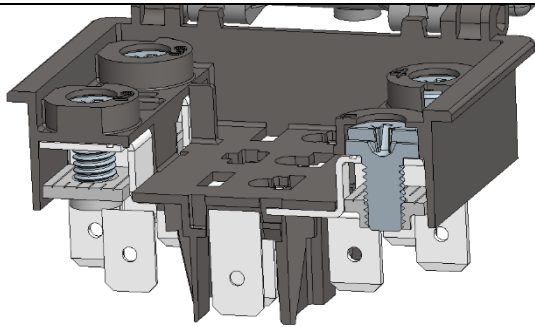
Dear business partner,

Our aim is to deliver consistently high quality products. Therefore, it is sometimes necessary to adjust and improve our existing products.

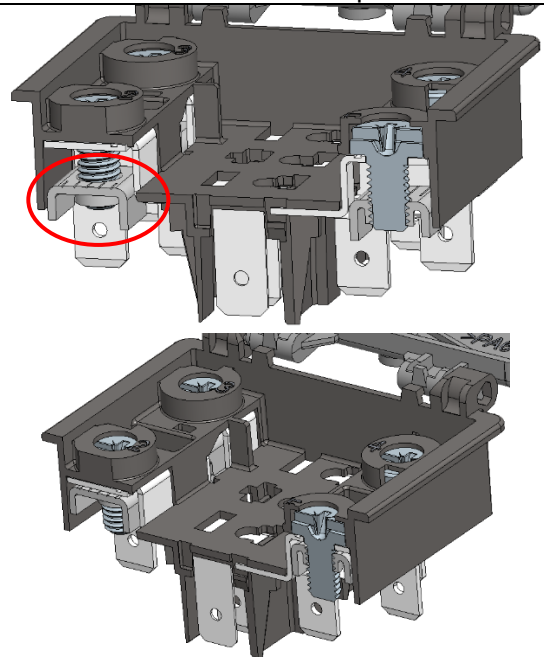
We would like to inform you that from **July 2023** the following products will be manufactured with improved contact parts:

Article name	Article number
KADO XT1 DA 6 6 3VL 00	88167675
KADO XT1 DA 6 6 3VL NF 00	88168112
KADO XT1 DA 5 1234E 6 R5 2VL 00	88167825
KADO XT1 DA 6 6 3VL PO28 00	88168478
KADO XT1 DA 5 1234E 6 2VL ZM DG 00	88167920
KADO XT1 DA 5 1234E 6 2VL 00	88167824
KADO XT1 DA 6 6 1VL1+2 1VL2+3 1VL4+5 00	88168087
KADO XT1 DA 6 6 R5 1VL1+2 1VLZ3+4 00	88167852
KADO XT1 DA 5 1234E 6 2VL ZM 00	88167892
KADO XT1 DA 6 6 R5 3VL4+5 ZM 00	88167893
KADO XT1 DA 6 6 R5 3VL ZM 00	88168741
KADO XT1 DB 6 6 3VL 00	88168090
KADO XT1 DA 5 1234E 6 2VL TX 00	88168089
KADO XT1 DA 6 6 3VL TX 00	88168764
KADO XT1 DA 5 1234E 6 2VL TX 00	88168089
KADO XT1 DA 6 6 R5 3VL ZM DG 00	88168629

Current version until end of June 2023



Improved version from July 2023 onwards with modified contact part:



We confirm that the modification does not result in any changes to the relevant technical features or approvals of the products. In other words, the rated cross-section, rated current and approved wires remain unchanged.

We also confirm that updates to our product approvals are in progress and that there will be no changes to the certificate numbers. Please note that our part numbers will not change either.

If you wish any further information on new products or possible alternatives, please do not hesitate to contact us on office@electroterminal.com

Best wishes for „better connections“,

A handwritten signature in blue ink, appearing to read 'A. Elsler'.

Andreas Elsler
Product Management